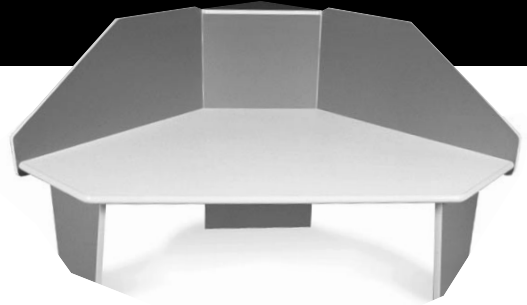


# 301: Corner Unit Instructions

## Hardware List:

Qty.	Item
3	Oval Grommets
20	#8 Screws (1½")
8	¼" - 20 x 2¼" Carriage Bolts
4	¼" - 20 x 3½" Hex Head Bolts
12	¼" - 20 Hex Nuts
12	¼" - Washers

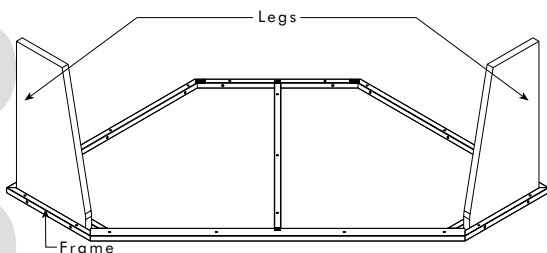


Thank you for purchasing your DEPCO Technology Lab Furniture! If you need further assistance, please call 1-800-767-1062.

## Step 1:

Insert legs into slots in frame.

**Note:** Welds should be up on steel frame.

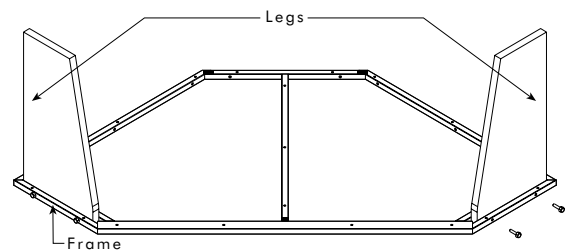


## Step 2:

Insert (2) 3½" bolts into each leg and then place nuts and washers on bolts.

**Note:** It may be required to tap bolts through the holes with a hammer.

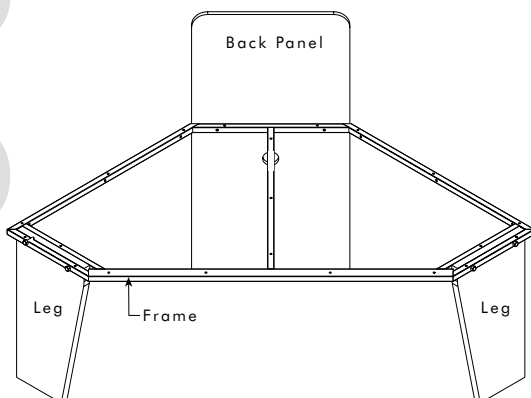
Tighten all bolts securely with nuts and washers.



## Step 3:

Rotate assembly 180 degrees and place back panel on with (2) 2¼" carriage head bolts. Insert from back side of back panel. Place nuts and washers on bolts.

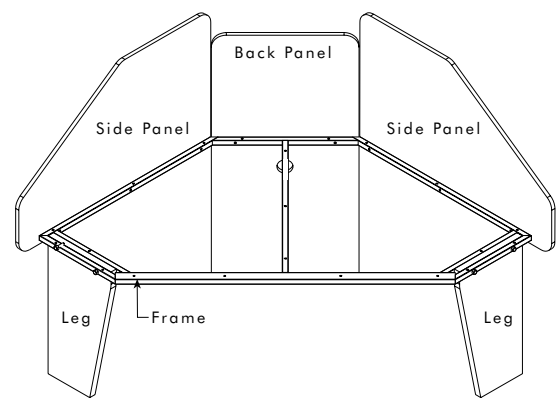
**Note:** It may be required to tap bolts with a hammer.



## Step 4:

Place side panels on using the hole locations and secure with (6) 2¼" carriage head bolts.

Then place nuts and washers on bolts.



## 301: Corner Unit Instructions

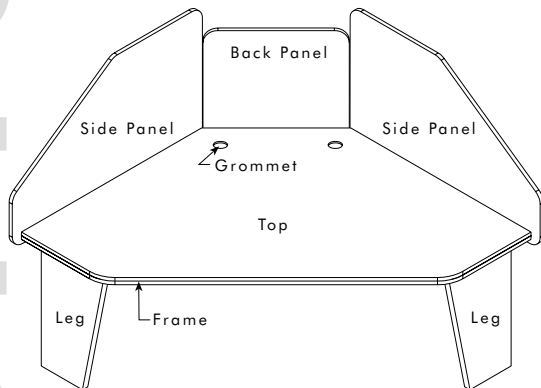
### Step 5:

Place top on securing with 1½" wood screws.

**Note:** DO NOT over tighten screws or they will strip out.

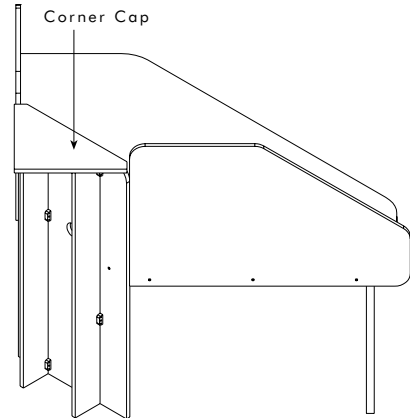
Insert Grommets in pre-drilled holes.

**Note:** Grommets may require tapping with a hammer.



### Step 6:

Place corner cap and secure with turn of 2 white assembly fittings.



 **DEPCO, Inc.**  
*We give experiences.*

PO Box 176 | 3305 Airport Dr. | Pittsburg, KS 66762 | 1-800-767-1062 | Fax: 316-231-0019 | sales@depcoinc.com

1 - 8 0 0 - 7 6 7 - 1 0 6 2 • w w w . d e p c o i n c . c o m