

# 210: Drafting Table RH Instructions

## Hardware List:

Qty.	Item
1	Power Strip with four screws
2	Grommets
1	1 1/4" Screw
	Keys

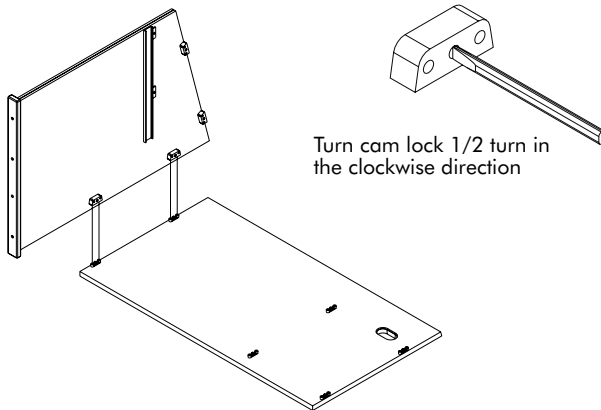


Thank you for purchasing your DEPCO Technology Lab Furniture! If you need further assistance, please call 1-800-767-1062.

## Step 1:

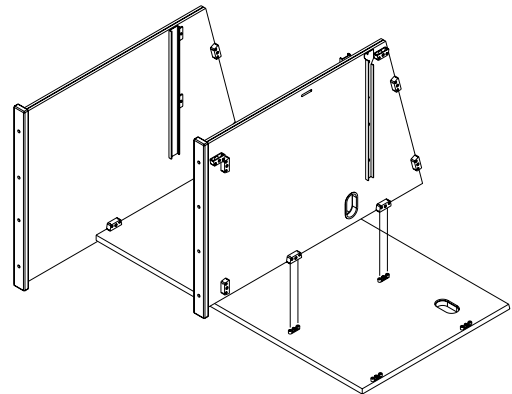
Remove all parts from the box. Lay the Back Panel on the floor. **Note:** You may want to lay some scrap pieces of wood under the Back panel to keep from scratching it on the floor.

Attach the Left Leg to the Back Panel using the assembly fittings.



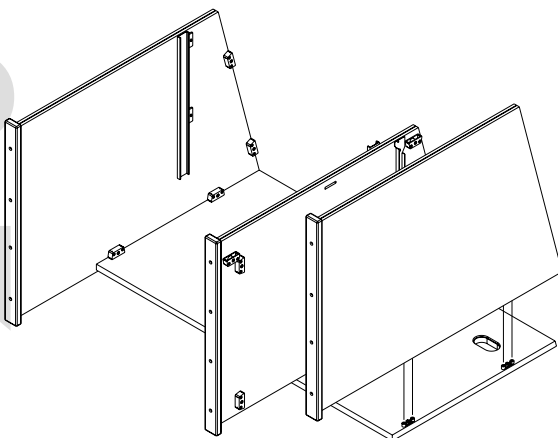
## Step 2:

Attach the Middle Leg to the Back Panel using the assembly Fittings



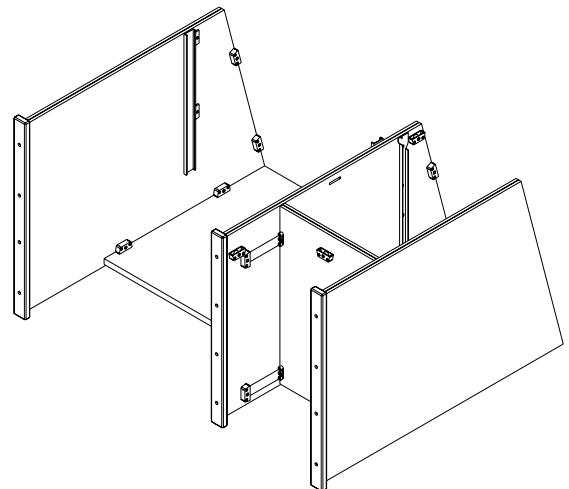
## Step 3:

Attach the Right Leg to the Back Panel using the assembly fittings



## Step 4:

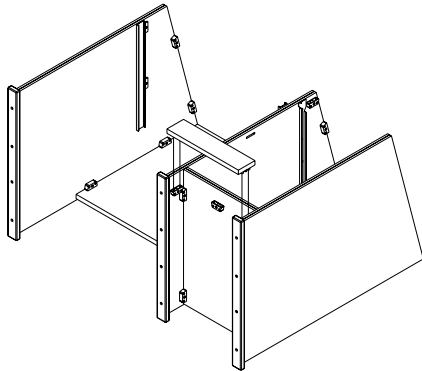
Attach Bottom Shelf to the Middle and Right Legs using the assembly fittings



## 210: Drafting Table RH Instructions

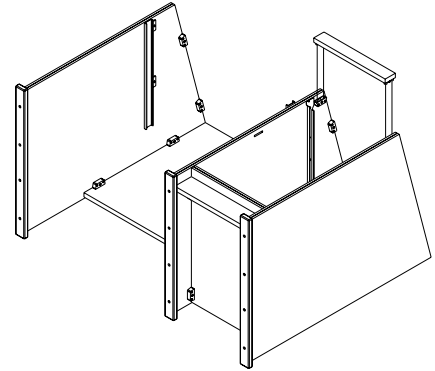
### Step 5:

Attach the Toe Kick to the Middle Leg, Right Leg and the Bottom Shelf using the assembly fittings.



### Step 6:

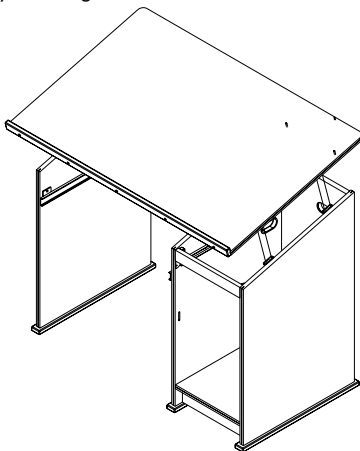
Attach the Stile to the Middle and Right Legs using the assembly fittings.



### Step 7:

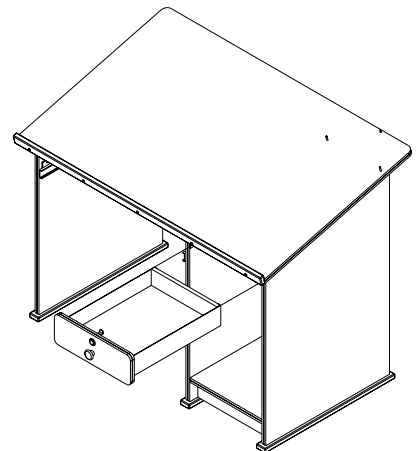
Stand the Drafting Table in the upright position.

Place the Top on the assembly and attach using the assembly fittings



### Step 8:

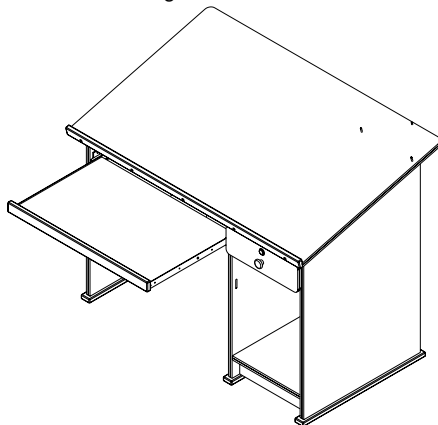
Insert the Drawer into the Drafting Table



### Step 9:

Insert the Keyboard tray into the Drafting Table.

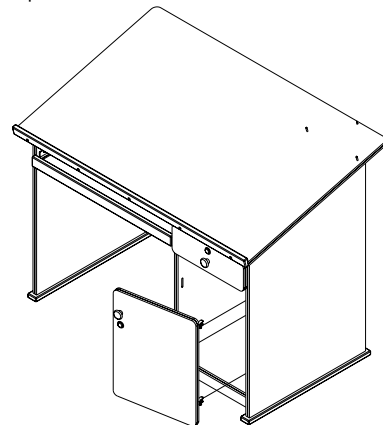
**Note:** It may be hard to push the tray in for the first time this is because it needs to set the slide into the bearings.

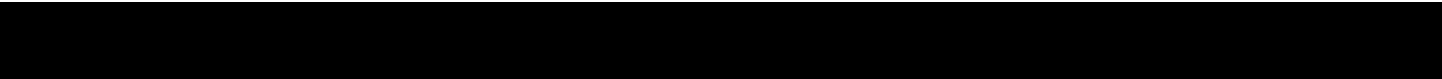


### Step 10:

Attach the door to the Right Side.

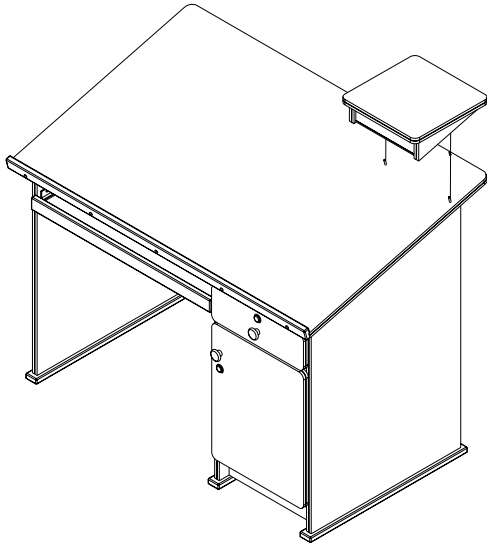
Place the front of the hinge over the hinge plate first then push on the back of the hinge until it snaps into place.





# '\$ \$ - . ( , \$ / ( # 0 ) (   
 2 ( \$ \$ # \$ ( , \$ \$ \$ ( \$ 0 , \$ 1   
 , # \$ \$ ( , \$ - 3 . \$ + 0 ) , \$ \$   
 \$ \$ # 4 ( # \$ ( , \$ / ( # 0 ) , # &

2 ( \$ 5 ) ) \$ ( , \$ , # \$ ( , \$ / & # \$ 6 \$   
 ( & , \$ ' 7 ( \$ #   
 , \$ / & # \$ 8 \$ ) \$ + \$ , \$ \$ \$ 0   
 9 & + \$ ' 7 ( , \$ 3 ' \$ + # \$ & ( , \$



 **DEPCO, Inc.**

! " # \$ % & \$ ' ( ' )   
 \* + + + & \$ ' ( ' )