

# 350: Instructor Workstation Instructions

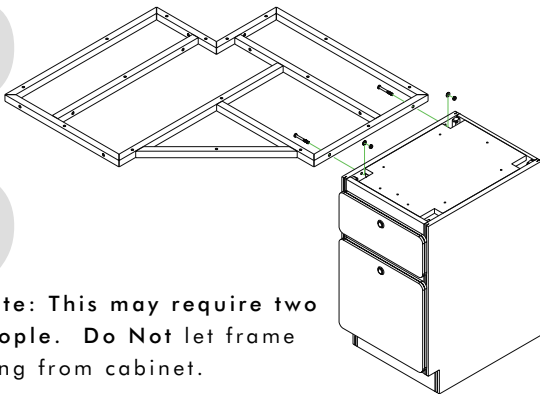
## Hardware List:

Qty.	Item
4	1/4"-20 x 2 1/4" Hex Head Bolts
4	1/4" Flat Washers
6	1/4"-20 x 2 1/4" Carriage Bolts
10	1/4"-20 Hex Nuts
16	#6 Screws (1 1/2")
12	#6 Screws (1 1/4")
1	Round Grommet (2 1/2")

### Step 1:

Attach Steel Frame to Drawer Cabinet using 2 - 1/4"-20 x 2 1/4" hex bolts, 2 - 1/4" flat washers, and 2 - 1/4"-20 hex nuts.

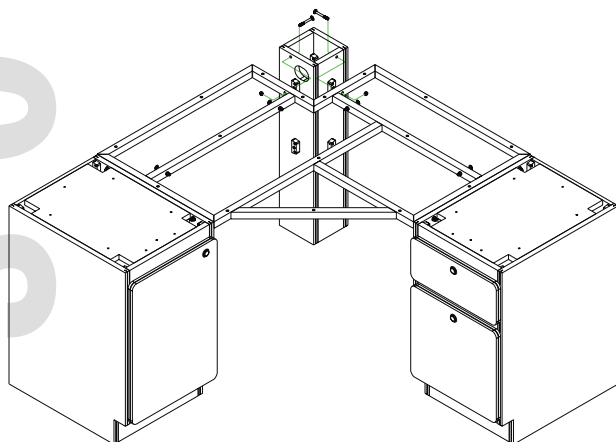
**Note:** Welds should be down on steel frame.



**Note:** This may require two people. Do Not let frame hang from cabinet.

### Step 3:

Attach Leg to Steel Frame using 2 - 1/4"-20 x 2 1/4" Carriage bolts, and 2 - 1/4"-20 hex nuts.

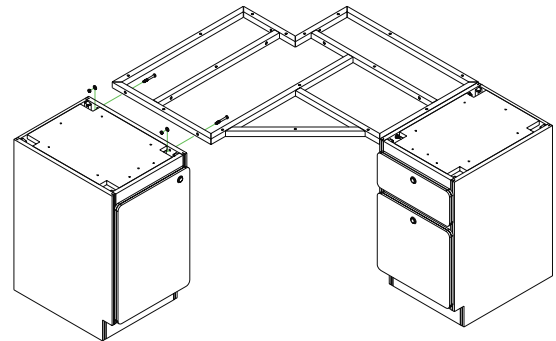


Thank you for purchasing your DEPCO Technology Lab Furniture! If you need further assistance, please call 1-800-767-1062.

### Step 2:

Attach Steel Frame to Door Cabinet using 2 - 1/4"-20 x 2 1/4" hex bolts, 2 - 1/4" flat washers, and 2 - 1/4"-20 hex nuts.

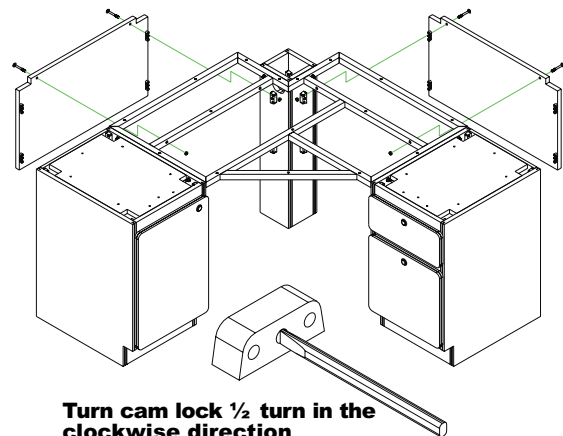
Tighten all bolts securely.



### Step 4:

Attach Privacy Panels to Steel Frame using 4 - 1/4"-20 x 2 1/4" Carriage bolts, and 4 - 1/4"-20 hex nuts.

Then attach using the assembly fittings on the cabinets and leg.



**Turn cam lock 1/2 turn in the clockwise direction**

## 350: Instructor Workstation Instructions

### Step 5:

Attach the Frame to the Top using 16 - 1½" Screws.

Attach the Cabinets to the Top using 12 - 1¼" Screws

**Note: DO NOT** over tighten screws or they will strip out.

**IT IS VERY IMPORTANT THAT YOU USE THE SHORT SCREWS THROUGH THE CABINET TOPS!!**

Insert Round Grommet into hole in Top.

