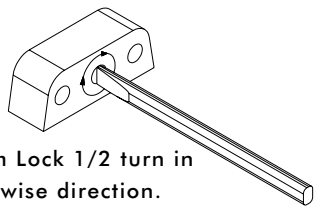


Residential Construction Cabinet Instructions



Hardware List:

There is no hardware with this piece of furniture. Everything is secured with cam locks which are already installed.

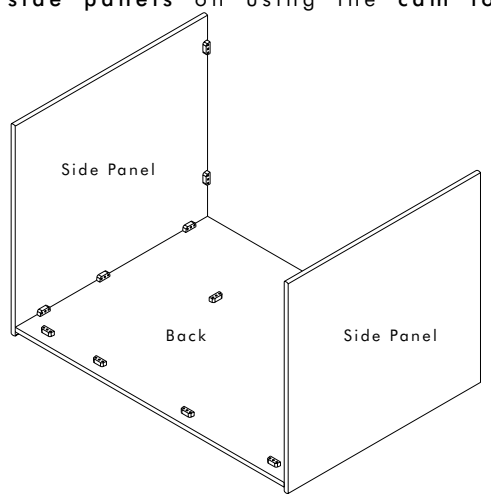


Turn Cam Lock 1/2 turn in the clockwise direction.

Thank you for purchasing your DEPCO Technology Lab Furniture! If you need further assistance, please call 1-800-767-1062.

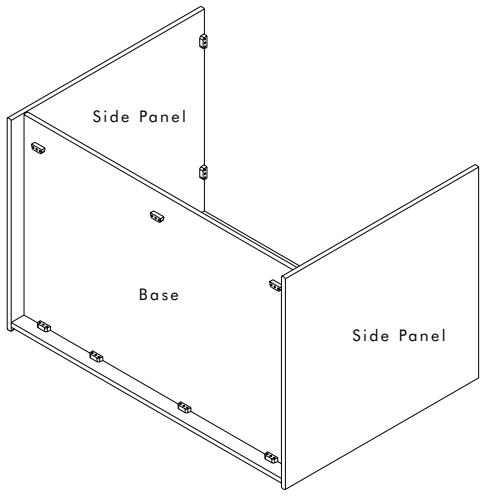
Step 1:

Lie back on flat surface and place 3/4" piece of scrap material underneath it. Then place left and right side panels on using the cam locks.



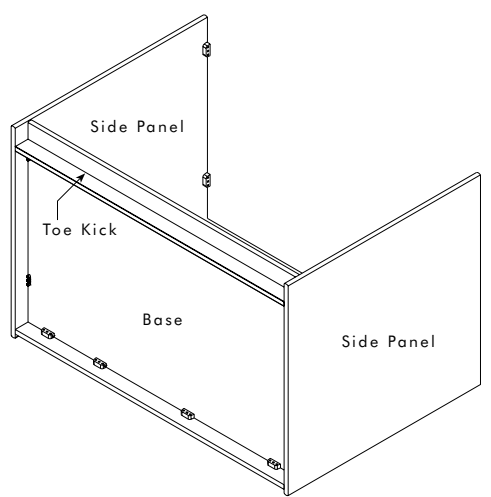
Step 2:

Place base on using cam locks.



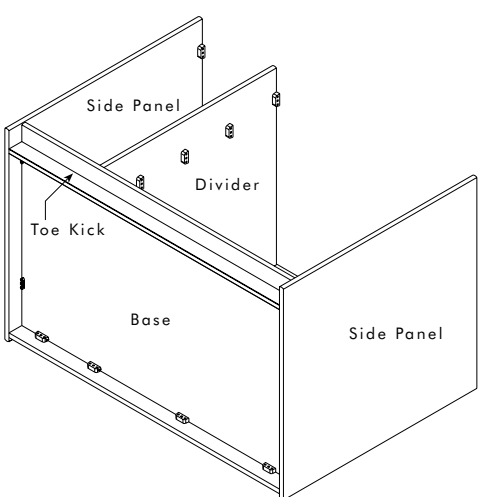
Step 3:

Attach toe kick on using cam locks.



Step 4:

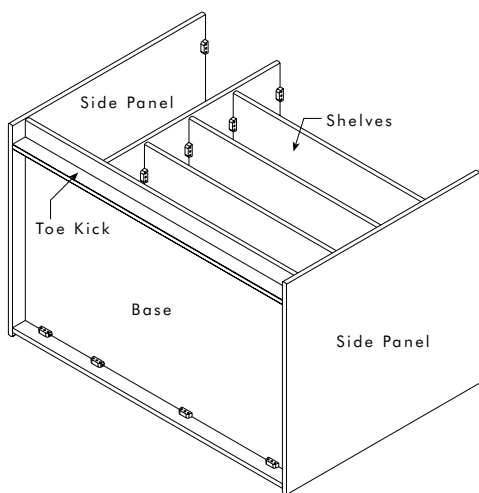
Attach divider on using the existing cam locks.



Residential Construction Cabinet Instructions

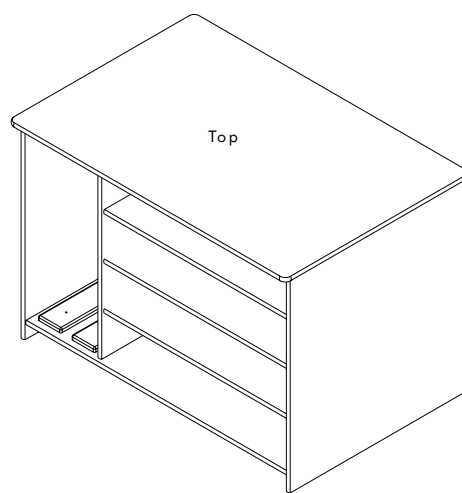
Step 5:

Attach shelves by using existing cam locks.



Step 6:

Attach top by using existing cam locks.



s
t
e
n
i
n
c
a
b
i
n
e
r
i
e
s

