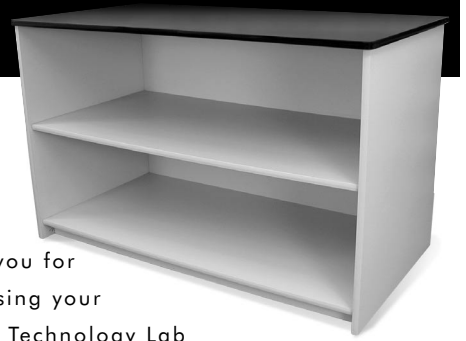
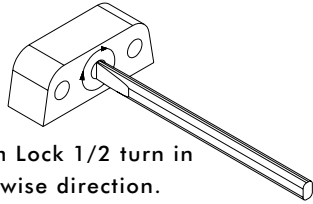


# Residential Plumbing Cabinet Instructions



## Hardware List:

There is no hardware with this piece of furniture. Everything is secured with cam locks which are already installed.

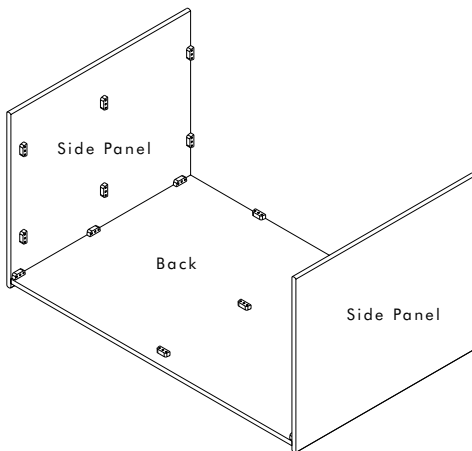


Turn Cam Lock 1/2 turn in the clockwise direction.

Thank you for purchasing your DEPCO Technology Lab Furniture! If you need further assistance, please call 1-800-767-1062.

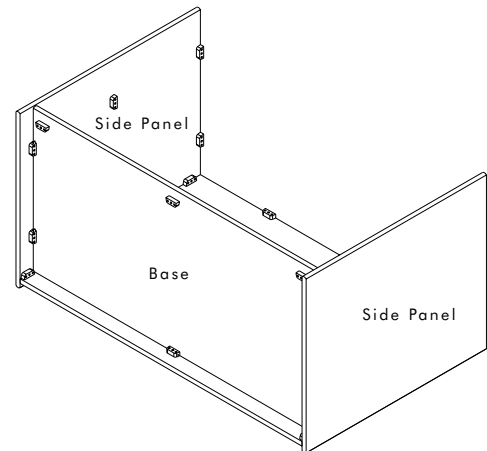
## Step 1:

Lie back on flat surface and place 3/4" piece of scrap material underneath it. Then place left and right side panels on using the cam locks.



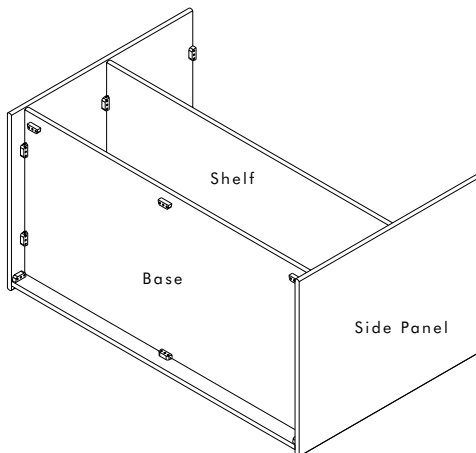
## Step 2:

Place base on using cam locks.



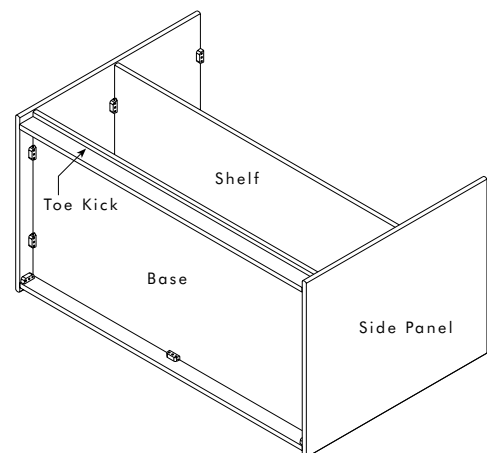
## Step 3:

Place shelf on using cam locks.



## Step 4:

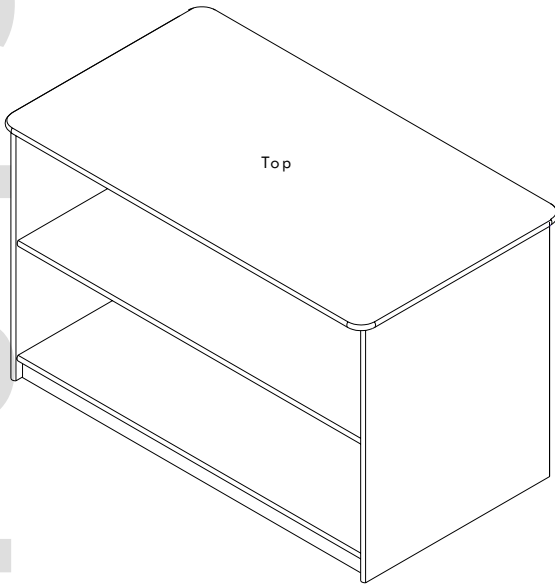
Attach toe kick on using the existing cam locks.



# Residential Plumbing Cabinet Instructions

## Step 5:

Attach top by using existing cam locks.



s  
t  
e  
n  
i  
p  
a  
c



PO Box 176 | 3305 Airport Dr. | Pittsburg, KS 66762 | 1-800-767-1062 | Fax: 316-231-0019 | sales@depcoinc.com

1 - 8 0 0 - 7 6 7 - 1 0 6 2 • w w w . d e p c o i n c . c o m